



215 Ledroit Street, Suite A
Laguna Beach, CA 92651
Phone: 949-499-8334
www: averve.biz

Installation Instructions

TRIMSET HARDWARE

TOOLS REQUIRED: Carpentry tools for installing aluminum hardware: level or laser line, table saw and chop saw with fine tooth carbide blades, tape measure, fine metal file, square, power drill with carbide drill bits, mastic tape, pencil.

CUTTING AND DRILLING HARDWARE PROFILES: Wear proper eye protection and maintain safety guards when cutting and drilling aluminum trim. Remove all burrs after cutting or drilling with a fine metal file.

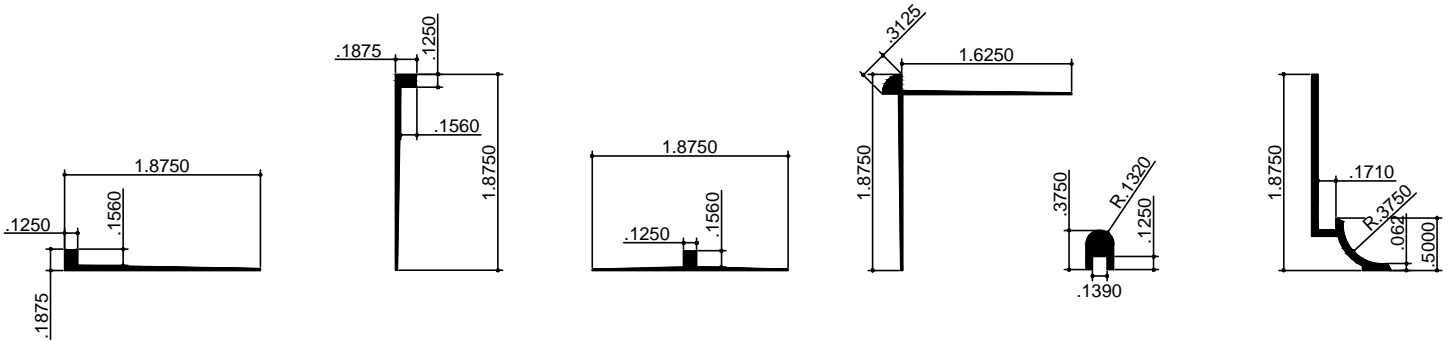
SCREW FASTENING and ADHESIVE REQUIRED: For new construction, install aluminum hardware over primed substrate (typically drywall). Attach the Main Rail hardware on the horizontal with countersunk drywall screws insuring that the screw head is set flush with the hardware flange. Set screws every 2'-0" on center at the wall stud locations. Attach the vertical Outside Corner and Edge hardware with same screw fastening and place a bead of construction adhesive on the hardware flange back side that engages the drywall. Attach vertical Main Rail hardware with a bead of construction adhesive on flange back side and secure to substrate with 3" strip of mastic tape every 2'-0" on center securing the face of the hardware flange to the substrate. Select construction adhesive based on the surface of the substrate and the bond to anodized finish aluminum.

CLEANING ALUMINUM HARDWARE: For pencil marks or most scuffs, use a ruby red pencil eraser, metal spray cleaner or glass cleaner. For removing adhesive from exposed hardware surfaces, follow the instructions provided by the adhesive source.

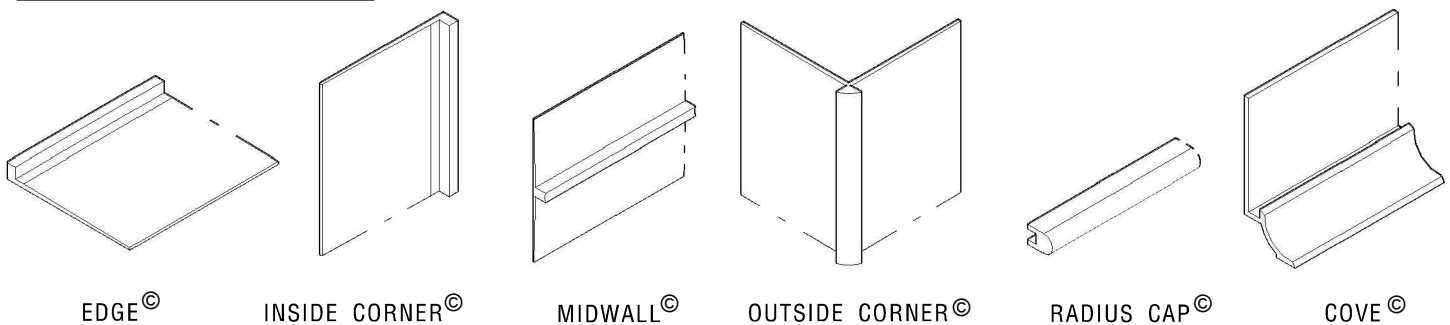
INSTALLTION SEQUANCE: The following pages describe the Trimset hardware profiles and the steps for installation. These are recommendations based on experienced craftsmen. It is important to follow the steps in the proper sequence to insure the proper fit of hardware locations and joint assemblies.

1 TRIMSET HARDWARE

PROFILE SECTIONS



PROFILE PERSPECTIVES

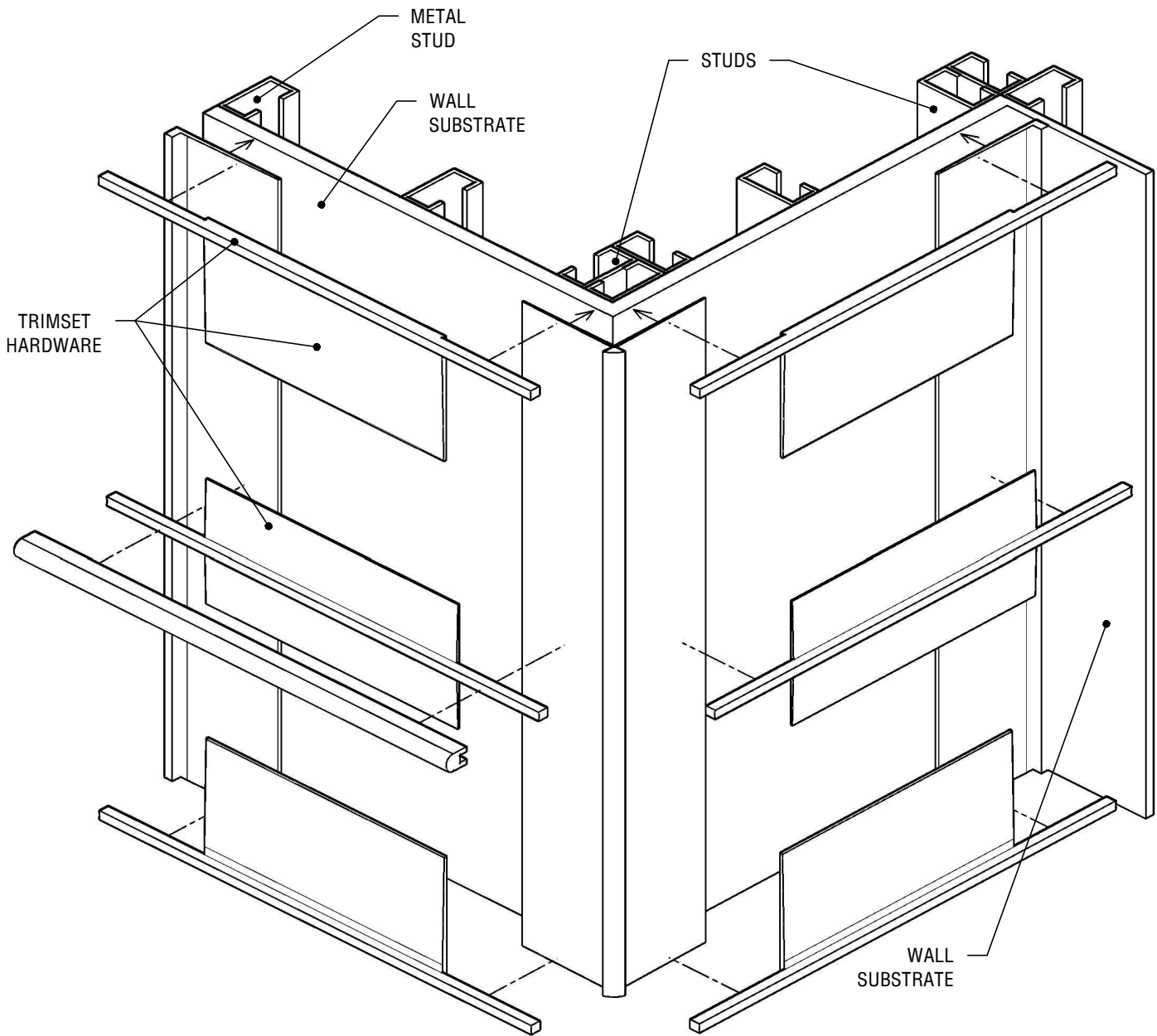


THERE ARE FIVE STANDARD TRIMSET PROFILES.
HARDWARE LENGTH IS 10'-0"

TRIMSET HARDWARE INSTALLATION OVERVIEW

1. Review installation shop drawings.
2. Review specified Trimset hardware profiles.
3. Review wall panel dimensions and design layout.
4. Maintain a 1/16" reveal between side of Trimset profile and edge of panel.
5. Cut Trimset hardware with fine tooth carbide saw blades.
6. Drill countersink screw holes with carbide bit.
7. Hardware to be attached to substrate that is flat and free of all protrusions. Both screw fastening and adhesive attachment are recommended.
8. Layout wall per design elevations. Insure that field dimensions and approved shop drawings are compatible.
9. Look for unscripted or misplaced utility boxes.
10. Contact appropriate field supervisor if discrepancies are identified.

2 PERSPECTIVE ASSEMBLY



Trimset hardware is installed onto a stud framed wall substrate. Hardware intersections require field cutting of Trimset profile ends to permit the joint intersection to have a continuous surface plane and sit flush with the incoming panel.

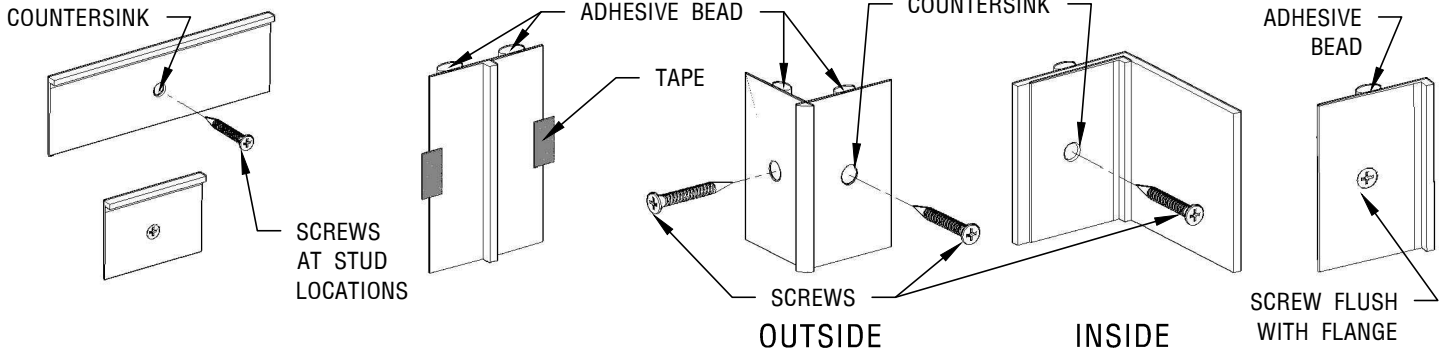
The image above is a general assembly perspective. Hardware details will vary based on panel layout.

3 FASTENING

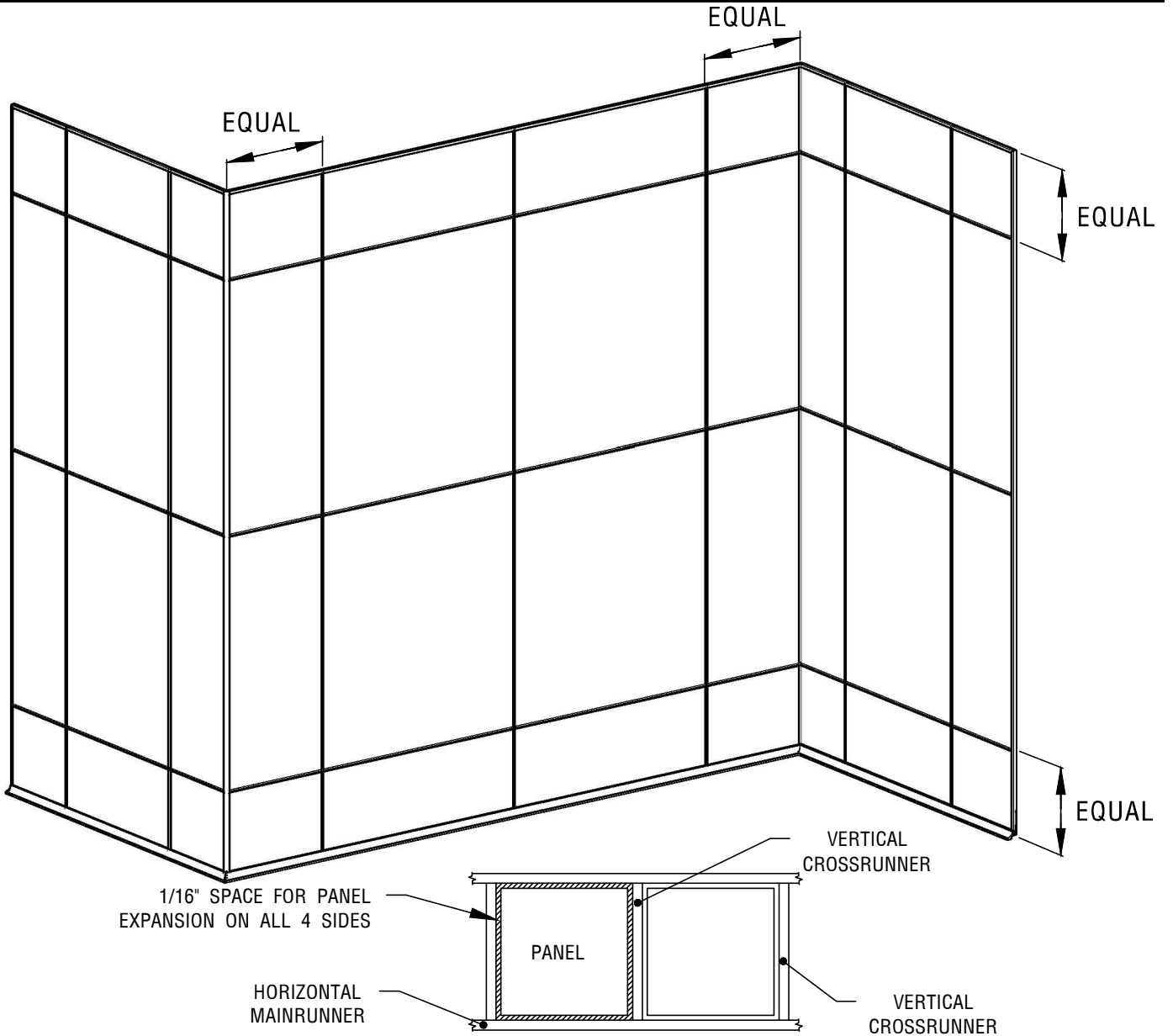
HORIZONTAL

VERTICAL

CORNER

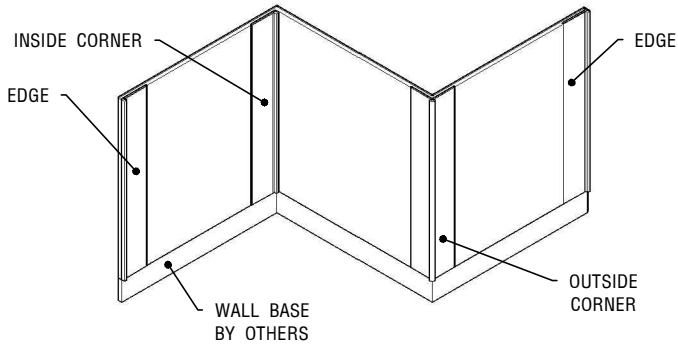


4 WALL GRID LAYOUT

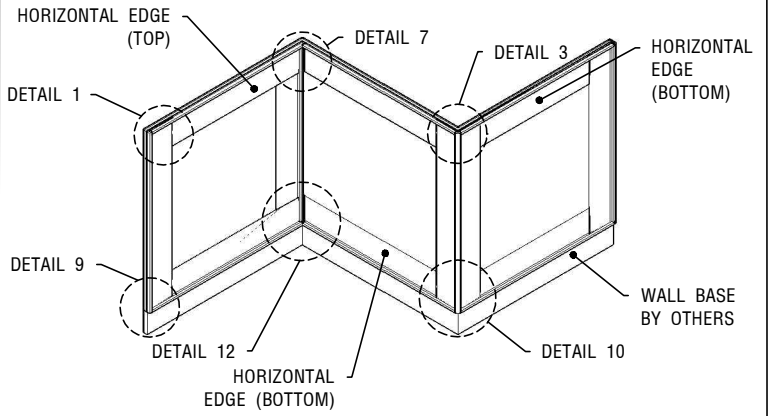


5 WALL BASE - NON PROGRESSIVE INSTALLATION

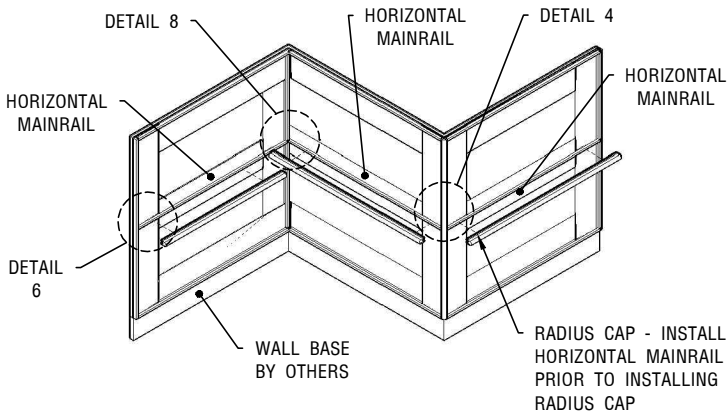
1ST STEP INSTALL VERTICAL TRIM



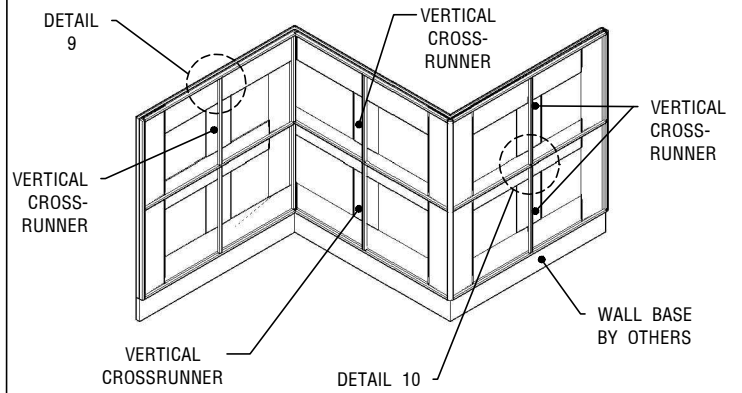
2ND STEP INSTALL HORIZONTAL EDGE



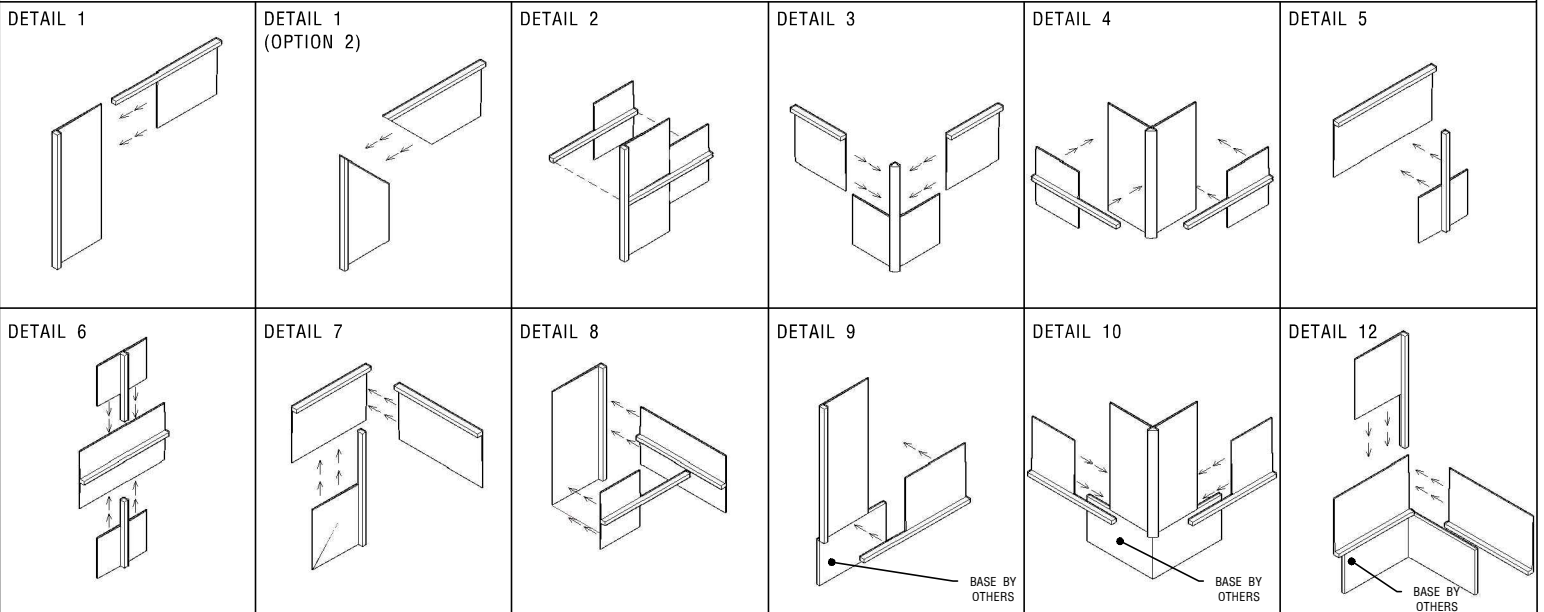
3RD STEP INSTALL HORIZONTAL MAINRUNNER



4TH STEP INSTALL VERTICAL CROSSRUNNER

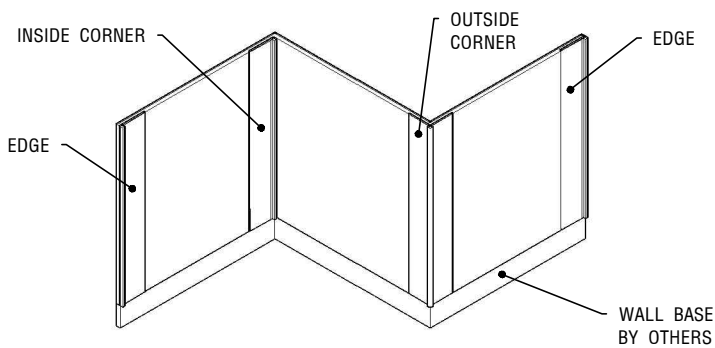


DETAILS

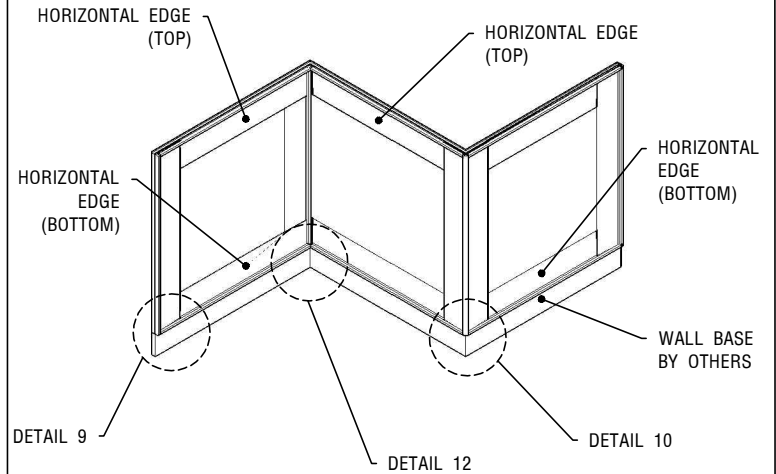


5A WALL BASE - PROGRESSIVE INSTALLATION

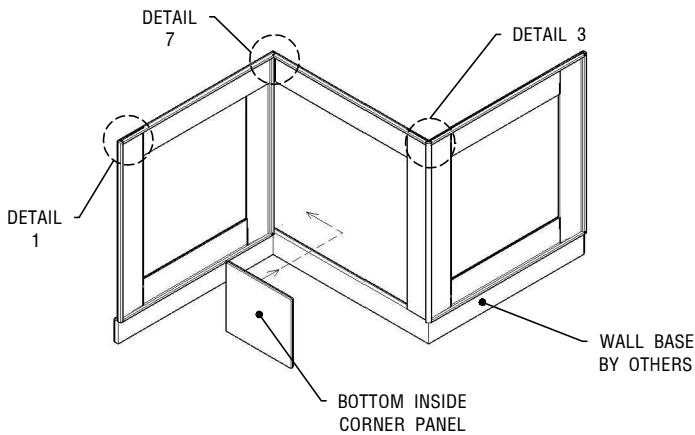
1ST STEP INSTALL VERTICAL TRIM



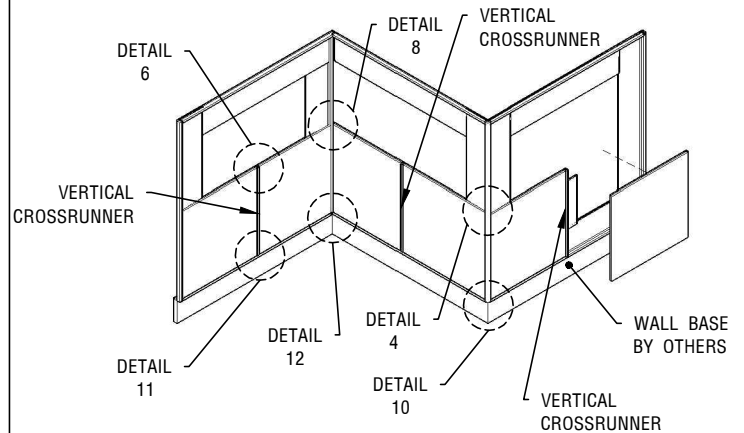
2ND STEP INSTALL TOP AND BOTTOM HORIZONTAL TRIM



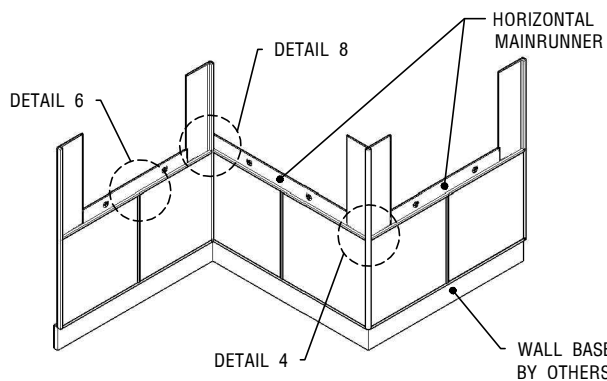
3RD STEP INSTALL BOTTOM INSIDE CORNER PANEL



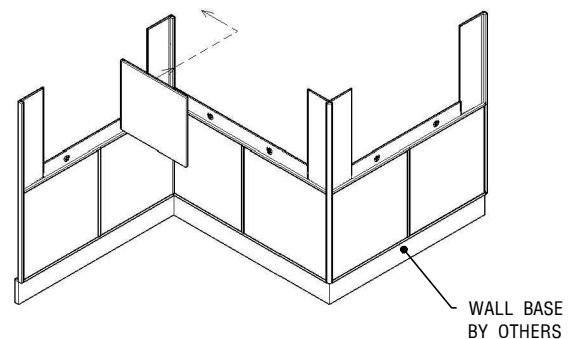
4TH STEP COMPLETE BOTTOM ROW OF PANELS PROGRESSIVELY AND INSTALL VERTICAL CROSSRUNNERS IN ROW



5TH STEP INSTALL 1ST MAINRUNNER SCREW FASTEN AT STUD LOCATIONS



6TH STEP INSTALL INSIDE CORNER PANEL AT NEXT LEVEL

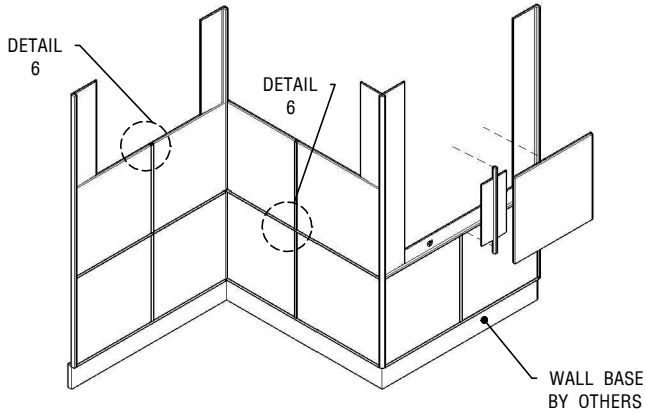


**NOTE: IF RADIUS CAP IS USED ASSEMBLE MAINRUNNER AND RADIUS CAP PRIOR TO INSTALLING

5A WALL BASE - PROGRESSIVE INSTALLATION

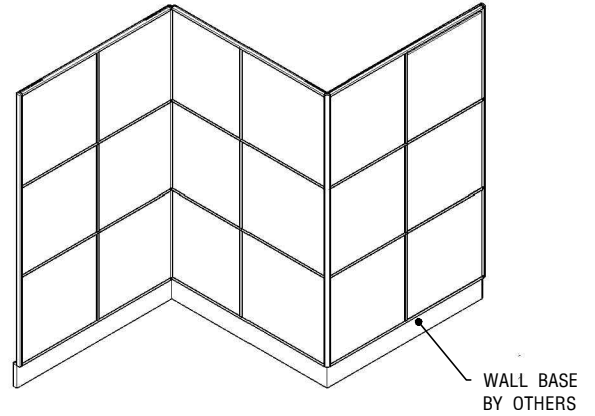
7TH STEP

COMPLETE NEXT ROW OF PANELS PROGRESSIVELY AND INSTALL VERTICAL CROSSRUNNERS IN ROW



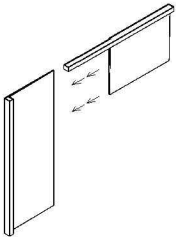
8TH STEP

CONTINUE INSTALLING PANELS TILL LAST ROW

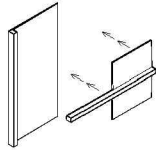


DETAILS

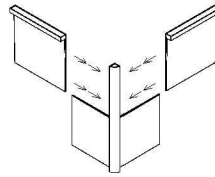
DETAIL 1



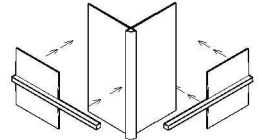
DETAIL 2



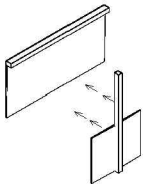
DETAIL 3



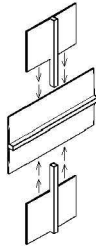
DETAIL 4



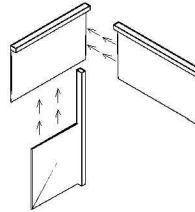
DETAIL 5



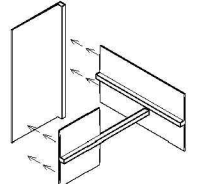
DETAIL 6



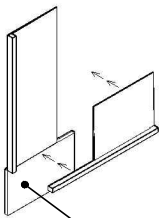
DETAIL 7



DETAIL 8

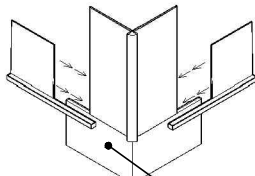


DETAIL 9



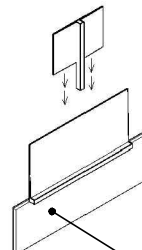
BASE BY OTHERS

DETAIL 10



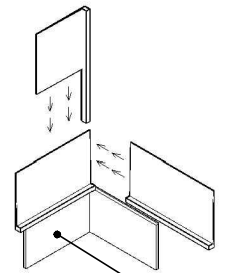
BASE BY OTHERS

DETAIL 11



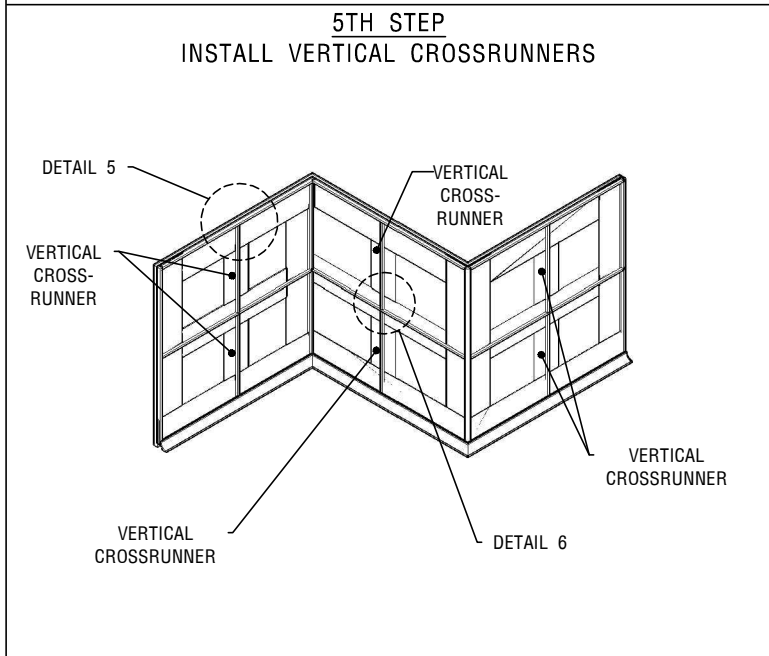
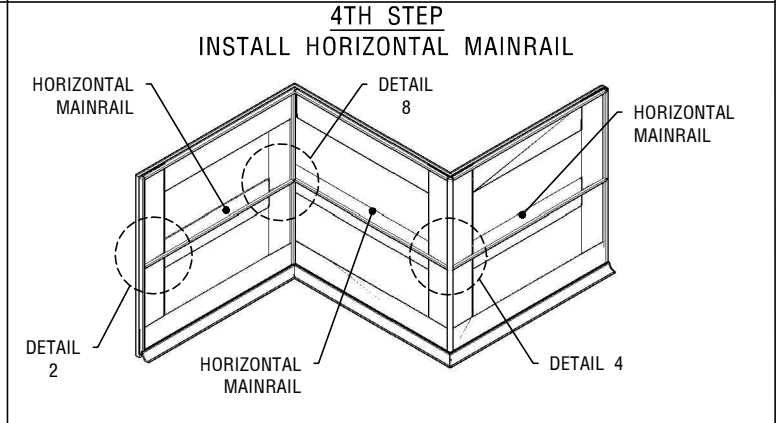
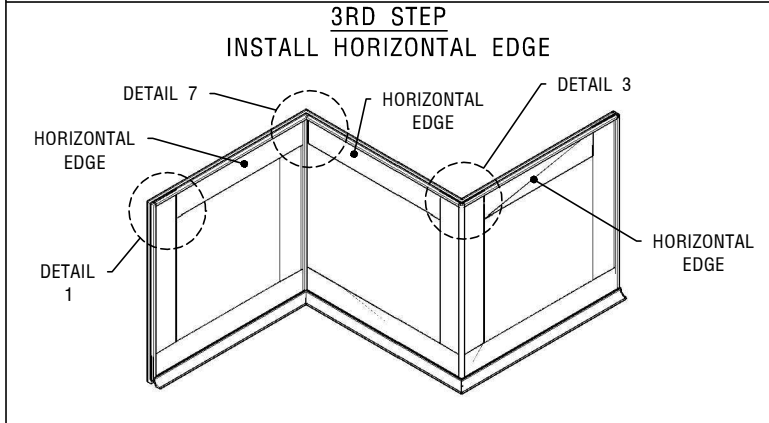
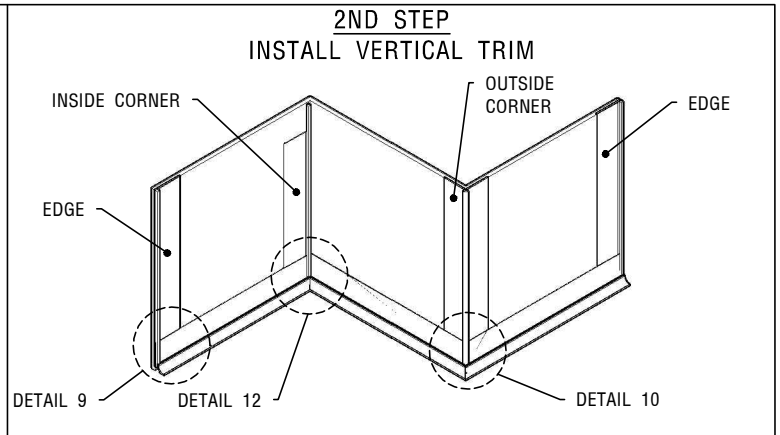
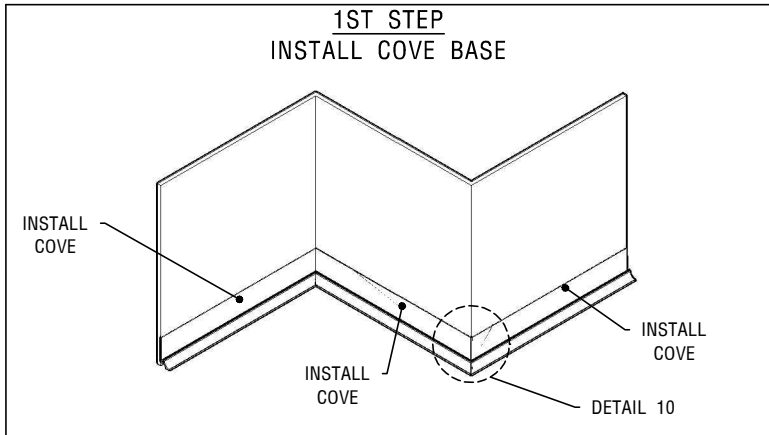
BASE BY OTHERS

DETAIL 12

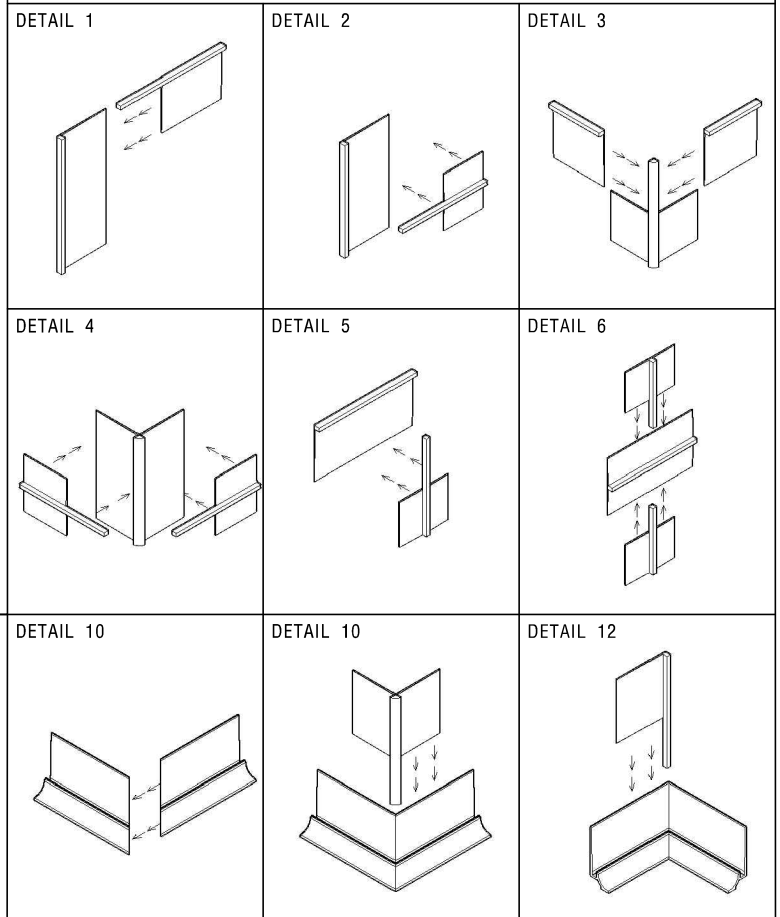
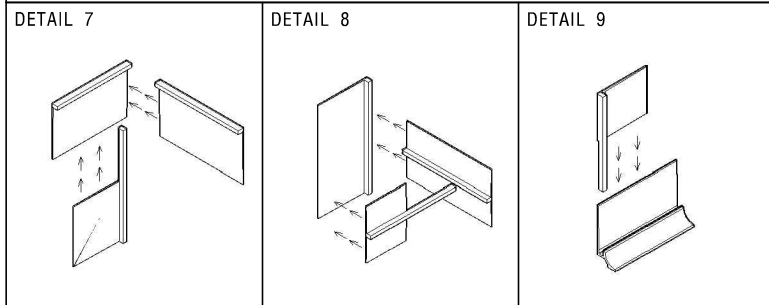


BASE BY OTHERS

6 COVE BASE - NON PROGRESSIVE INSTALLATION

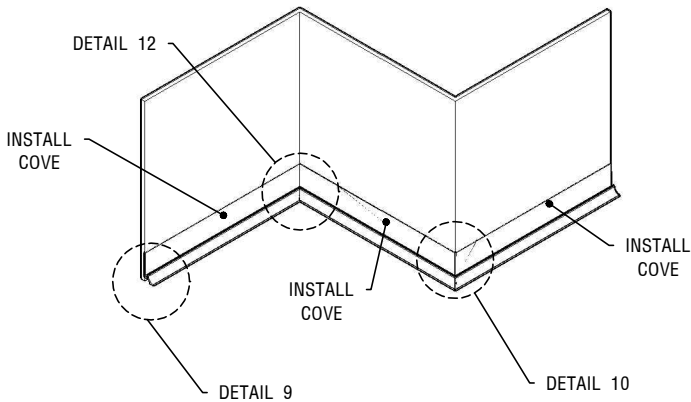


DETAILS

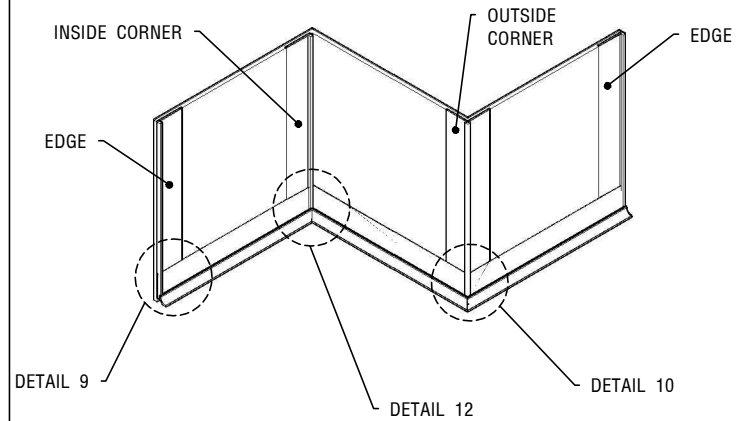


6A COVE BASE - PROGRESSIVE INSTALLATION

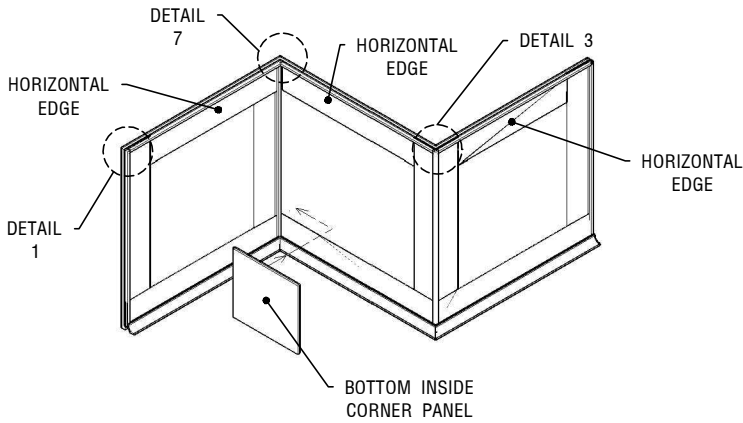
1ST STEP INSTALL COVE BASE



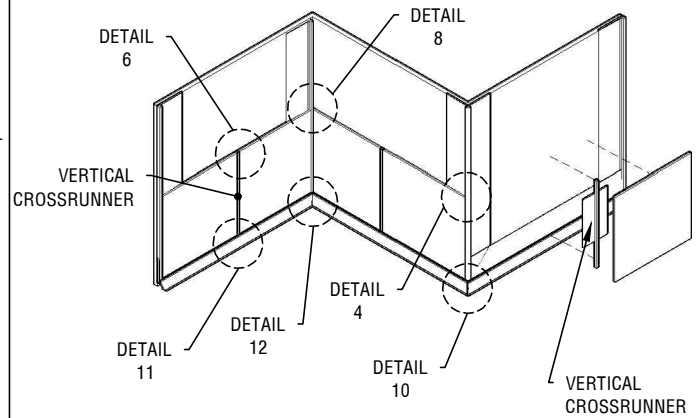
2ND STEP INSTALL VERTICAL TRIM



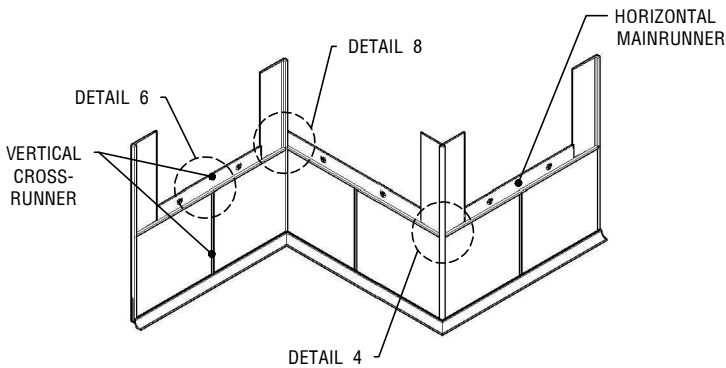
3RD STEP INSTALL TOP HORIZONTAL EDGE AND INSTALL BOTTOM INSIDE CORNER PANEL



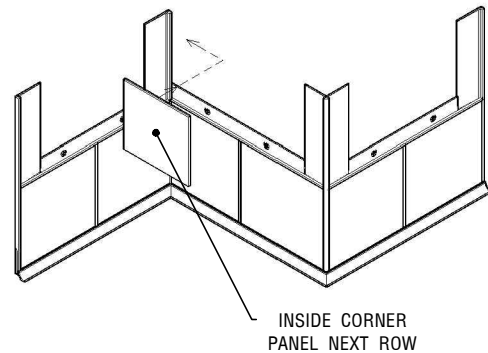
4TH STEP COMPLETE BOTTOM ROW OF PANELS PROGRESSIVELY AND INSTALL VERTICAL CROSSRUNNERS IN ROW



5TH STEP INSTALL 1ST MAINRUNNER SCREW FASTEN AT STUD LOCATIONS



6TH STEP INSTALL INSIDE CORNER PANEL AT NEXT LEVEL

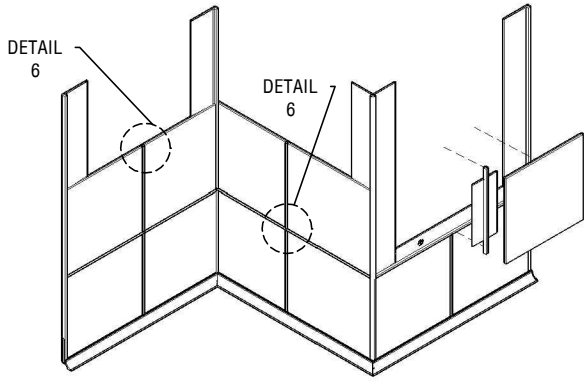


****NOTE: IF RADIUS CAP IS USED ASSEMBLE MAINRUNNER AND RADIUS CAP PRIOR TO INSTALLING**

6A COVE BASE - PROGRESSIVE INSTALLATION

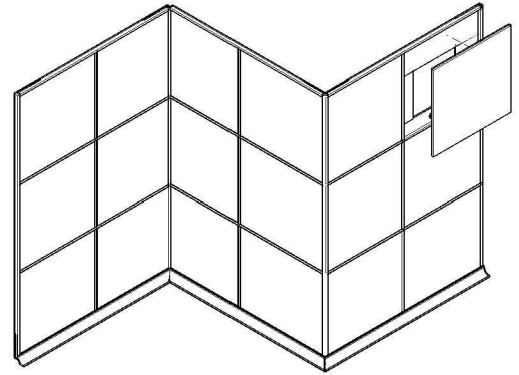
7TH STEP

COMPLETE NEXT ROW OF PANELS PROGRESSIVELY AND INSTALL VERTICAL CROSSRUNNERS IN ROW



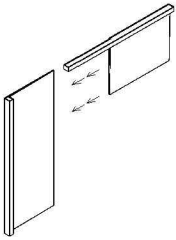
8TH STEP

CONTINUE INSTALLING PANELS TILL LAST ROW

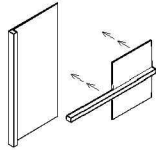


DETAILS

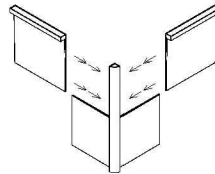
DETAIL 1



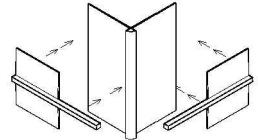
DETAIL 2



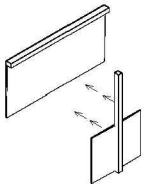
DETAIL 3



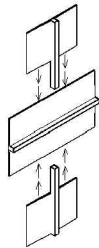
DETAIL 4



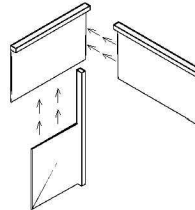
DETAIL 5



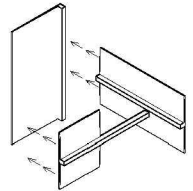
DETAIL 6



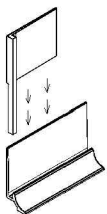
DETAIL 7



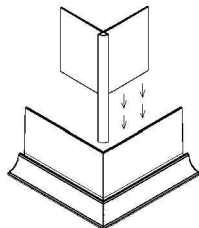
DETAIL 8



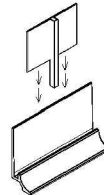
DETAIL 9



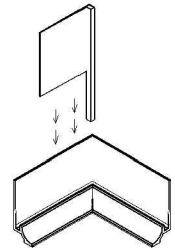
DETAIL 10



DETAIL 11

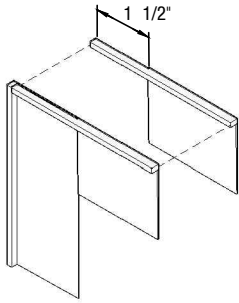


DETAIL 12

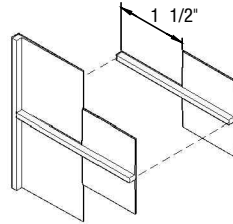


7 TRIMSET - JOINT CONDITION END CUTS

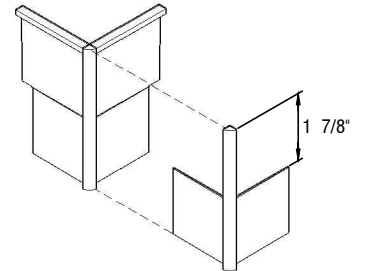
① TOP CORNER



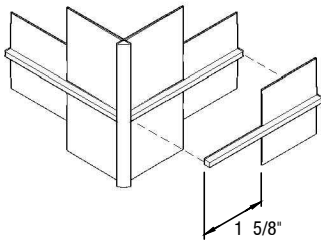
② VERTICAL EDGE WITH MAINRUNNER



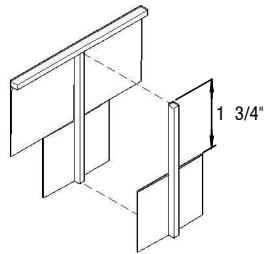
③ OUTSIDE CORNER WITH TWO HORIZONTAL EDGES



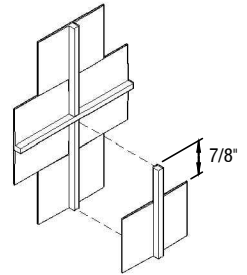
④ OUTSIDE CORNER WITH TWO HORIZONTAL MAINRUNNERS



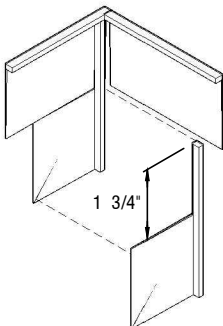
⑤ TOP EDGE WITH VERTICAL CROSSRUNNER



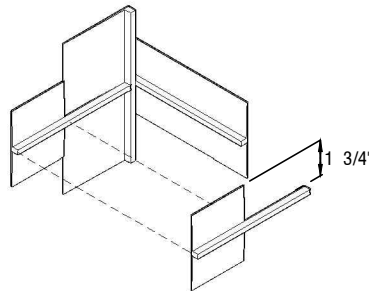
⑥ HORIZONTAL MAINRUNNER WITH VERTICAL CROSSRUNNERS



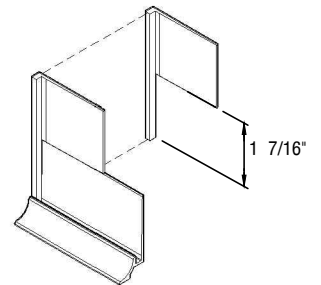
⑦ TOP INSIDE CORNER (THREE EDGES)



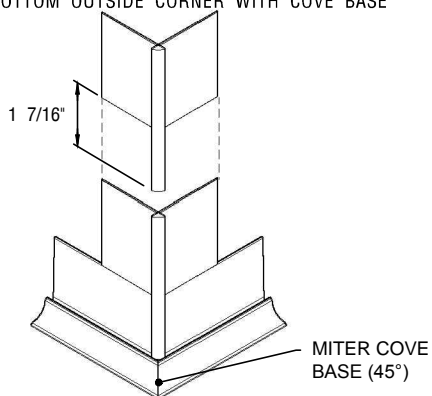
⑧ INSIDE CORNER WITH HORIZONTAL MAINRUNNER



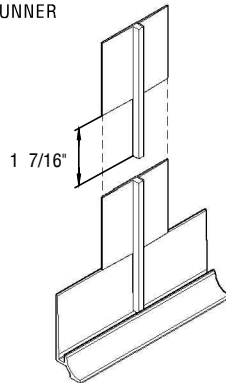
⑨ BOTTOM CORNER EDGE WITH COVE



⑩ BOTTOM OUTSIDE CORNER WITH COVE BASE



⑪ BOTTOM EDGE WITH VERTICAL CROSSRUNNER



⑫ BOTTOM INSIDE CORNER WITH COVE BASE

